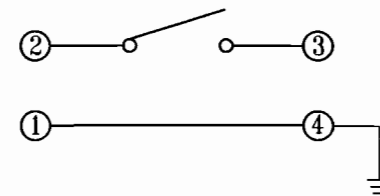
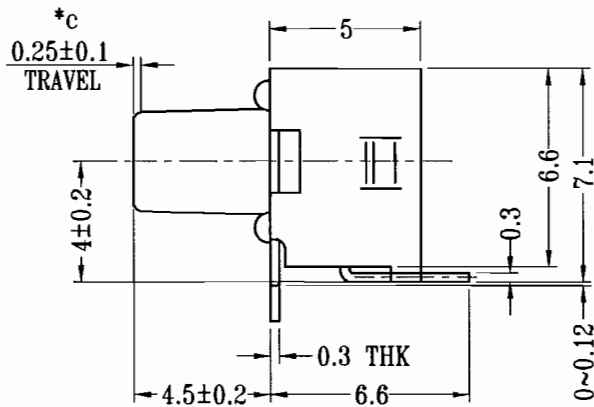
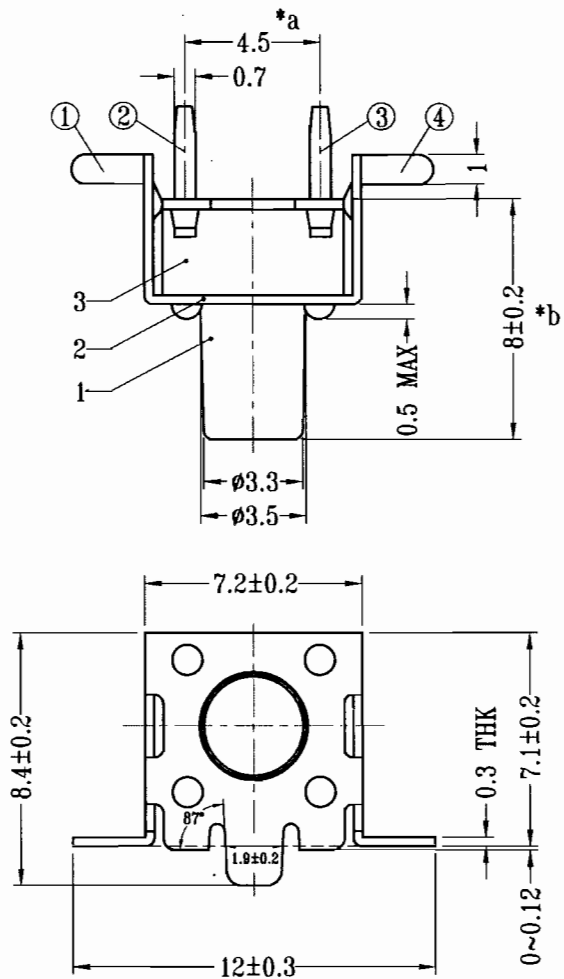
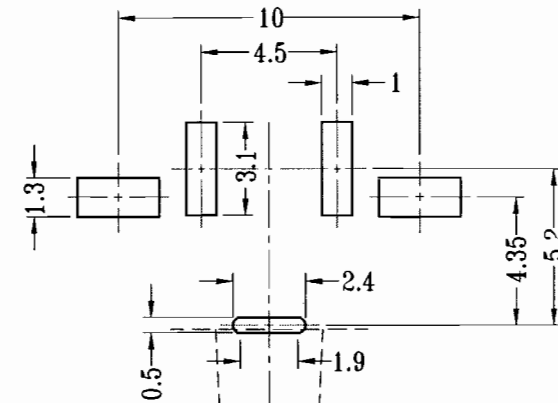


CAD FILE:



SCHEMATIC



P.C.B LAYOUT
TOP VIEW

注：“*”表示关键尺寸(3个)

NO.	PARTS	MATERIALS	Q'TY	FINISH	TOLERANCE UNLESS SPECIFIED	ISSUE	DATE	DESCRIPTIONS OF REVISION	APPD.
8									
7									
6					WITHIN 1.5mm : $\pm 0.1\text{mm}$			样板图纸	
5					OVER 1.5mm : $\pm 0.2\text{mm}$			DESCRIPTIONS OF REVISION	APPD.
4	CONTACT	PBS C5210R-EH	1	Ag CLAD	TITLE : TACT SWITCH			UNIT : mm	DRWG NO.: TT-DR-TC0274-00
3	CASE	NYLON+F.G/BRASS STRIP	1	BLACK/Ag PLATED OVER Ni PLATED	MODEL: TC-0274			SCALE: 4:1	DWN. 曾涛 31-Mar-2011
2	COVER	STEEL STRIP	1	Sn PLATED	淮洋有限公司 HUAIYANG CO.,LTD.			CHK'D 曾涛	31-Mar-2011
1	KNOB	NYLON+F.G+94V0(FR52)	1	RED				APPD. 曾涛	31-Mar-2011